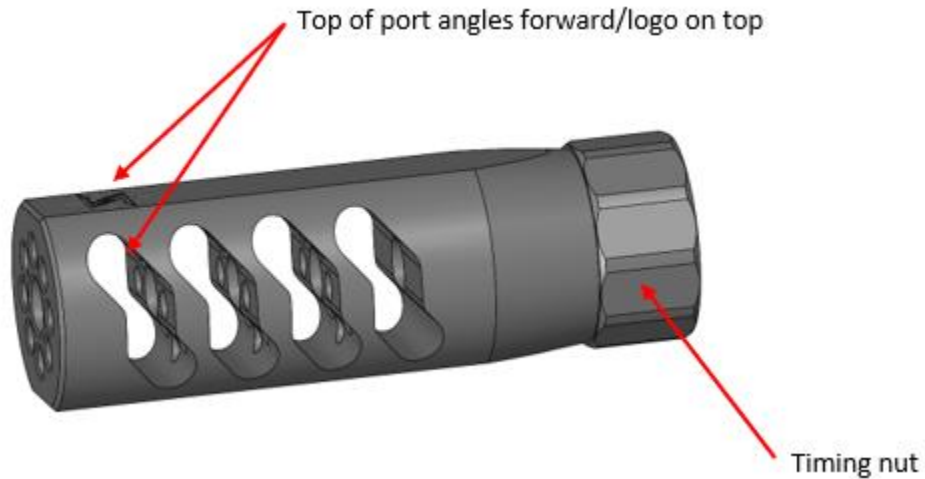




Advanced Tactical Compensator



This brake comes with a jam nut and is ready to be installed by the end user. To install, screw on jam nut first with the large cup side going over the barrel. Install brake and use jam nut to tighten.

Note: We do not require use of thread locking compound, but if required we suggest using as little as possible.